

The No Clog  
**BLAST CLEANING  
MACHINES**



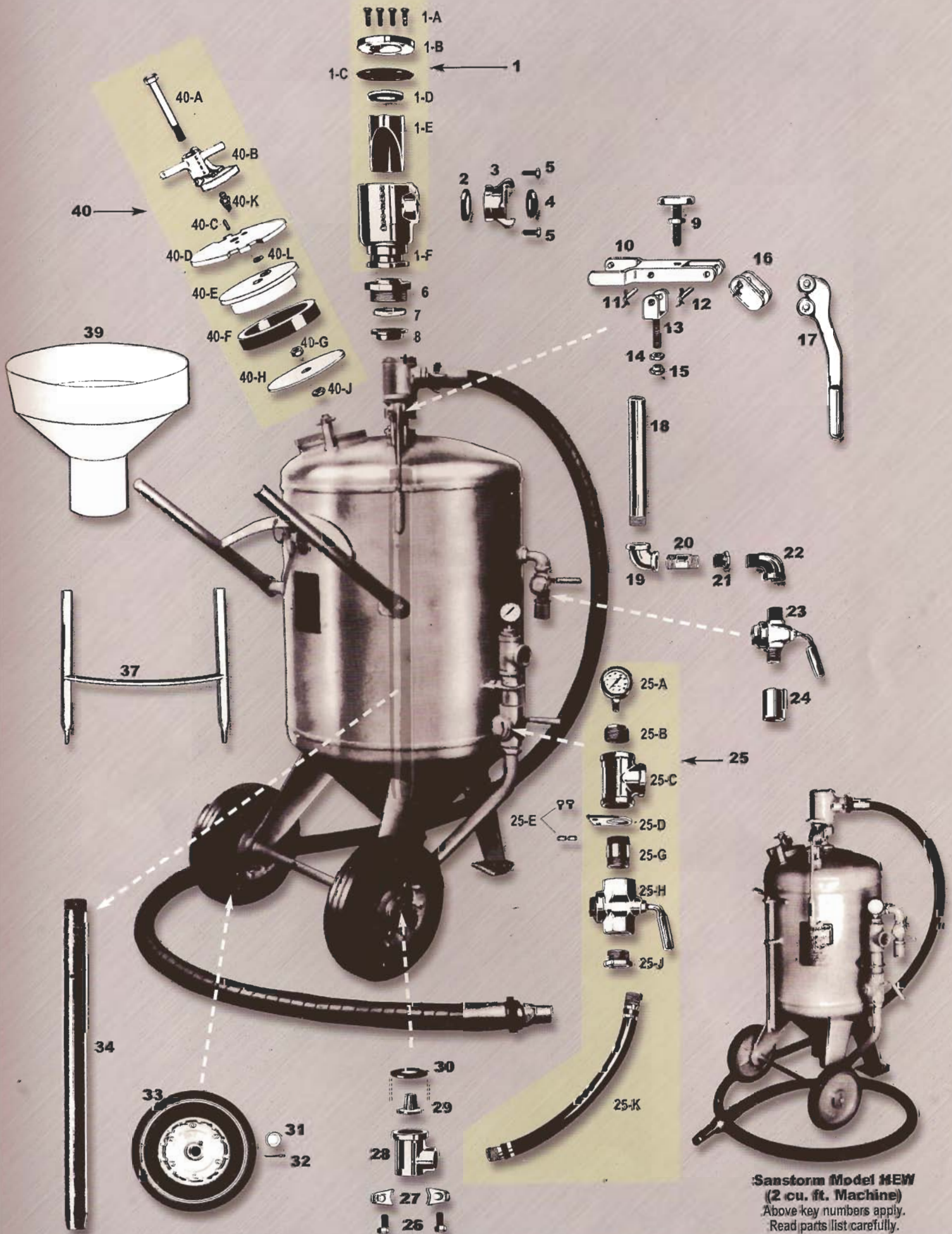
# Parts Catalog

**PC-ABH**

Models: AH • AHW • BH • BHW • AR • ARW • ARWB • BR • BRW • BRWB

**MMLJ, INC.**  
**CLOSED TOP SERIES A&B**  
ALSO MODELS: HEW, HEWR, HEWRB

5711 SCHURMIER RD.  
Houston, Texas 77048  
Tel.: 713.869.2227 Fax.: 713.868.8041



**Sanstorm Model HEW**  
**(2 cu. ft. Machine)**  
 Above key numbers apply.  
 Read parts list carefully.

# MMLJ Parts List – Series A& B Machines

Net Weight	Key No.	Stock No.	Part No.	Description	
	1	72974	M-17	Outlet Elbow, complete (less KF-17 adaptor parts)	11 lb. 10 oz.
	1A	82563	M-17-D	Outlet Elbow Cap Bolt (4 required)	—
	1B	131054	M-17-C	Outlet Elbow Cap	1 lb. 6 oz.
	1C	131227	M-17-G	Outlet Elbow Cap Gasket	—
	1D	131147	M-23-G	Outlet Elbow Insert Gasket	—
	1E	73602	M-23	Outlet Elbow Insert	2 lb. 9 oz.
	1F	80789	M-17-B	Outlet Elbow (Body Only)	7 lb.
	2	131149	KF-17-G	Elbow Adapter Flat Gasket	—
	3	80790	KF-17	Elbow Adapter (with KFG & KF-17-G Gaskets)	1 lb. 10 oz.
	4	131148	KFG	KF Series Coupling Gasket	—
	5	23858	KF-17-B	Elbow Adapter Bolt (2 required)	—
	6	131102	M-5-1	Pecking Gland Nut with M-13 Internal Gasket	1 lb. 5 oz.
	7	131226	M-13	Pecking Gland Nut Internal Gasket	—
	8	131225	M-5-G	Pecking Gland Gasket	1 oz.
	9	73464	AB-8	Rocker Arm Adjusting Screw with Lock Nut	8 oz.
	10			ROCKER ARM—	
		73481	M-3	For "A" Series Machines	2 lb. 6 oz.
		73480	B-3-1	For "B" Series Machines	4 lb.
		73481	M-3	For Model HEW Machine	2 lb. 6 oz.
	11	131069	AB-12-S	Hinge Yoke Clevis Pin with Cotter Pins	2 oz.
	12	131070	AB-11-S	Abrasive Lever Clevis Pin with Cotter Pins	2 oz.
	13	131113	AB-75	Rocker Arm Hinge Yoke	11 oz.
	14	22926	AB-75-C	Rocker Arm Hinge Yoke Nut	1 oz.
	15	131094	AB-75-E	Rocker Arm Hinge Yoke Adjustment Nut	1 oz.
	16	131133	AB-10	Connecting Link Complete with Cotter Pins	9 oz.
	17	73500	AB-9	Abrasive Control Lever	2 lb.
	18			INTERNAL BLOW-OFF LINE VERTICAL NIPPLE—	
		72933	AB-61-W	For "A" Series Machines	1 lb. 4 oz.
		72933	AB-61-W	For "B" Series Machines	1 lb. 4 oz.
		131353	HEW-61-W	For Model HEW Machine	14 oz.
	19	131867	AB-61-T	Internal Blow-Off Line Elbow	11 oz.
	20	131861	AB-61-S	Internal Blow-Off Line Nipple (3" long)	6 oz.
	21	131860	AB-61-A	Blow-Off Line Bushing	3 oz.
	22	131847	AB-61-E	External Blow-Off Elbow	6 oz.
	23	70239	AB-61-C	Blow-Off Line Valve	1 lb. 14 oz.
	24	68967	AB-61-R	Blow-Off Line Restrictor	9 oz.
	25			AIR INTAKE LINE COMPLETE—	
		133019 / 002	A-30-1-1	For "A" Series Machines	8 lb. 7 oz.
		133021 / 002	B-30-1-1	For "B" Series Machines	9 lb. 2 oz.
		133019 / 002	A-30-1-1	For Model HEW Machine	8 lb. 7 oz.
	25A	70238	AB-30-G	Air Pressure Gauge	6 oz.
	25B	131868	AB-30-1C	Gauge Bushing	5 oz.
	25C	131856	AB-30-1T	Air Intake Line Tee	1 lb. 6 oz.
	25D	131328	AB-29-2M	Air Intake Line Weld Bracket	5 oz.
	25E	131461	AB-29-3M	Air Intake U Bolt with Nuts	—
	25G	131462	AB-30-1N	Air Intake Line Nipple	11 oz.
	25H	70240	V-99	Air Intake Valve	2 lb. 14 oz.
	25J	131837	AB-30-1B	Air Intake Line Bushing	4 oz.
	25K			AIR INTAKE LINE HOSE ASSEMBLY—	
		133673	A-30-PR-1	For "A" Series Machines	2 lb. 3 oz.
		133674	B-30-PR-1	For "B" Series Machines	2 lb. 14 oz.
		133673	A-30-PR-1	For Model HEW Machine	2 lb. 3 oz.
	26	23879	AB-47-B	Air Inlet Body Lug Bolt (2 required)	2 oz.
	27	131231	AB-47	Air Inlet Body Lug (2 required)	2 oz.
	28	73478	ABHD-1	Air Inlet Body	1 lb. 14 oz.
	29	131127	AB-1-NHD	3/8" Air Inlet Nozzle for 3/16" Blast Nozzle	4 oz.
		131125	AB-1-NHD	1/2" Air Inlet Nozzle for 1/4" Blast Nozzle	4 oz.
		131126	AB-1-NHD	5/8" Air Inlet Nozzle for 5/16" and larger Blast Nozzles (When ordering, please state bore size.)	4 oz.
	30	131228	AB-1-G	Air Inlet Gasket	—
	31	72803	AB-33	Wheel Washer	—
	32	72804	AB-33-C	Axle Cotter Pin	—
	33			RUBBER TIRE WHEEL—	
		72805	A-31-1	For "A" Series Machines 10" x 2.75 x 1" Hub (Old Style)	6 lb. 1 oz.
		133734	A-3HE-31-2	For "A" Series Machines 10" x 2 x 3/4" Hub (New Style)	6 lb. 1 oz.
		72818	B-31-1	For "B" Series Machines 12" x 3 x 1" Hub (Old Style)	10 lb. 4 oz.
		133648	BF-31-2	For "B" Series Machines 16" x 4 x 1" Hub (New Style)	10 lb. 4 oz.
		72851	E-31	For Model HEW Machines 8" x 1-5/8 x 3/4" Hub (Old Style)	3 lb.
		133734	A-3HE-31-2	For Model HEW Machines 10" x 2 x 3/4" Hub (New Style)	6 lb. 1 oz.

# (Closed Top Models) also Models HEW, HEWR & HEWRB



Key No.	Stock No.	Part No.	Description	Net Weight
34	131121	AB-63	OUTLET PIPE, HARDENED ALLOY STEEL— For "A" Series Machines	16 lb.
	131121	AB-63	For "B" Series Machines	16 lb.
	131120	HEW-16-C	For Model HEW Machine	11 lb.
37	133645	A3HE-42-HB	HANDLE BAR WELD-ON TYPE— For "A" Series Machines	6 lb. 2 oz.
	133649	FB6-42-HB	For "B" Series Machines	8 lb. 14 oz.
	133645	A3HE-42-HB	For Model HEW Machines	3 lb. 4oz.
39	73576	A-15-4 1/4	FILLING FUNNEL— For "A" Series Machines	6 lb.
	73578	B-15-6	For "B" Series Machines	6 lb. 8 oz.
	73576	A-15-4 1/4	For Model HEW Machine	6 lb.
	73458	AB-15-S	FUNNEL ACCESSORIES: SCREENS— For "A" Series Machines	1 lb. 5 oz.
	73458	AB-15-S	For "B" Series Machines	1 lb. 10 oz.
	73458	AB-15-S	For Model HEW Machine	1 lb. 5 oz.
40	73600	A-60-1	FILL CAP (COMPLETE WITH GASKET)— For "A" Series Machines	5 lb.
	73856	B-60-1	For "B" Series Machines	8 lb. 8 oz.
	73600	A-60-1	For Model HEW Machine	5 lb.
	40A	70241	AB-60-A	Fill Cap Bolt
40B	72812	A-60-H-1	FILL CAP HANDLE WITH SAFETY LOCK— For "A" Series Machines	1 lb. 7 oz.
	131317	B-60-H-1	For "B" Series Machines	1 lb. 8 oz.
	72812	A-60-H-1	For Model HEW Machine	1 lb. 7 oz.
	40K	69953	BB-1S	Air Signal Valve
40C	72813	AB-60-G	Fill Cap Locater Pin	—
40D	131034	A-60-D-1	FILL CAP PLATE— For "A" Series Machines	2 lb. 2 oz.
	131091	B-60-D-1	For "B" Series Machines	4 lb. 4 oz.
	131034	A-60-D-1	For Model HEW Machine	2 lb. 2 oz.
	40L	72627	CNG	Gasket Seal
40E	131030	A-60-B-1	FILL CAP BODY— For "A" Series Machines	11 oz.
	131031	B-60-B-1	For "B" Series Machines	1 lb. 8 oz.
	131030	A-60-B-1	For Model HEW Machine	11 oz.
40F	73603	A-13-4 1/4	FILL CAP GASKET— For "A" Series Machines	5 oz.
	73620	B-13-6	For "B" Series Machines	8 oz.
	73603	A-13-4 1/4	For Model HEW Machine	5 oz.
40G	28578	AB-60-E	Fill Cap Bolt Inner Nut	—
40H	131097	A-60-R	FILL CAP GASKET RETAINER PLATE— For "A" Series Machines	3 oz.
	131095	B-60-R	For "B" Series Machines	8 oz.
	131097	A-60-R	For Model HEW Machine	3 oz.
40J	77078	AB-60-F	Fill Cap Bolt Outer Nut	—

9

hines.)

d mainte-  
type of  
rons, and  
ed. NIOSH  
ir MUST  
ad for

concent-  
lung dis-  
ca abra-  
anent  
y cause  
d respira-  
g in or

rioration.

## MMLJ Parts Catalog PC ABH

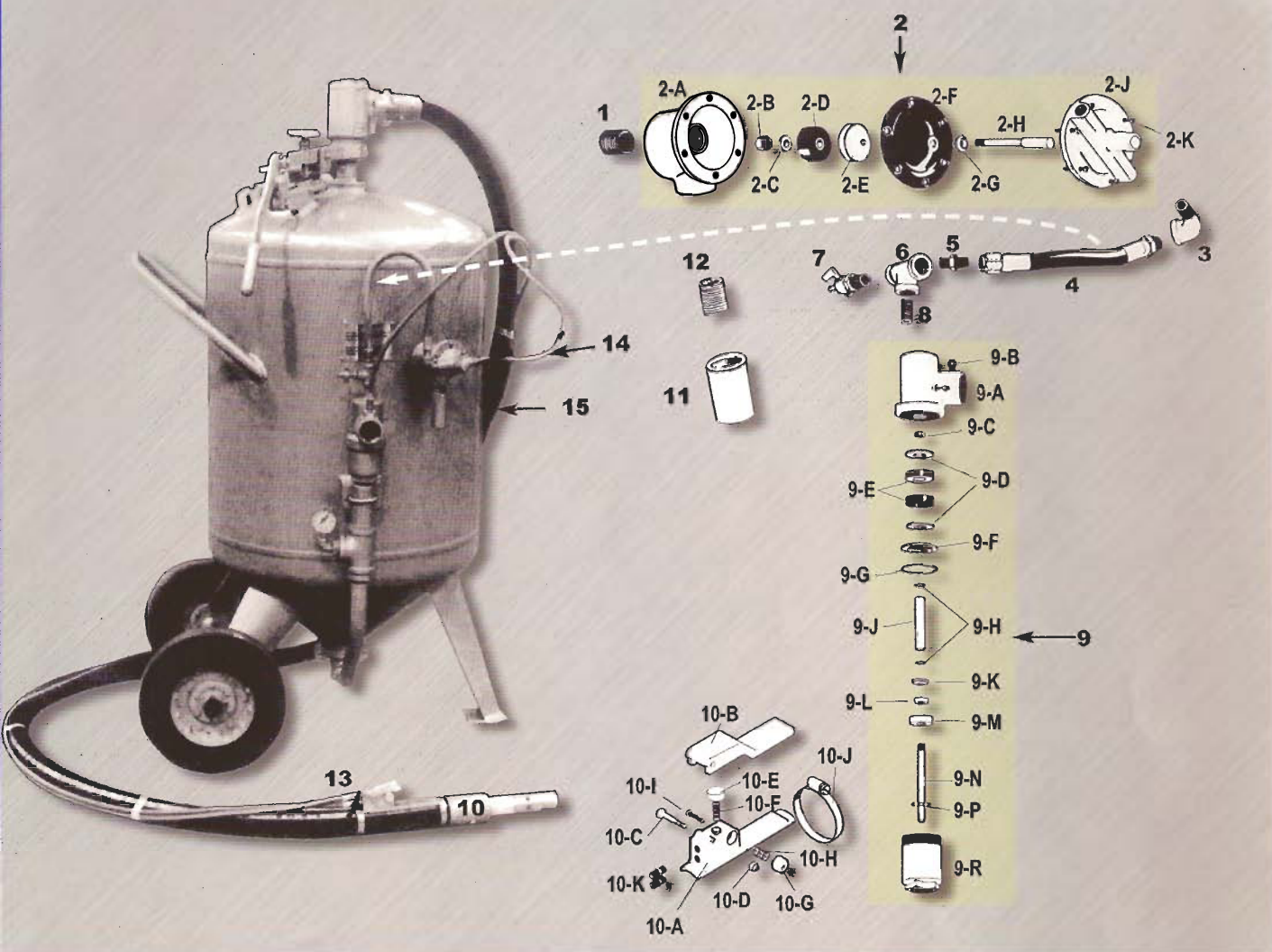
Reproduction of data contained herein expressly forbidden without the written permission of MMLJ, Inc.



### —WARNING—

OSHA regulations require remote controls (point of operation controls) on all blast machines Basic manual control machines shown in this manual are for the convenience of customers having existing remote control systems and for selecting various remote control systems offered.

**Note:** When ordering parts for machines having a serial number ending in 56 (or lower) the COMPLETE serial number should be given.

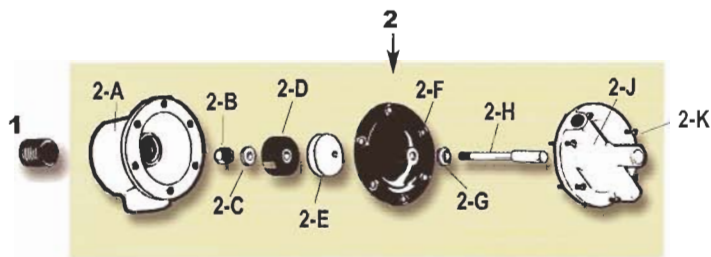


## DUAL LINE REMOTE CONTROL ASSEMBLY

Key No.	Stock No.	Part No.	Description	Net Wt.	Key No.	Stock No.	Part No.	Description	Net Wt.
1	72821	RC-24	Tank Nipple	2 oz.	9L	82754	RCV-2G	Disc	—
2	73617	RCB-3	Blow-Off Valve (complete)	3lb. 7 oz.	9M	131047	RCV-2F	Disc Retainer	3 oz.
2A	73489	RCB-3A	Body	1 lb. 11 oz.	9N	131763	DRCV-2D-1	Stem	4 oz.
2B	72823	RCB-3K	Nut	—	9P	131049	RCV-2E	Split Washer	—
2C	131060	RCB-3D	Brass Washer	—	9R	73476	RCV-2A	Valve Outlet Body	1 lb. 12 oz.
2D	82755	RCB-3G	Disc	1 oz.	10	83619	DR-3-1	Dual Line Activator Valve Assembly	14 oz.
2E	131058	RCB-3F	Disc Retainer	4 oz.	10A	83615	DR-3-1A	Activator Valve Body	7.3 oz.
2F	73621	RCB-3E	Diaphragm	1 oz.	10B	83616	SDR-3B	Activator Lever	3 oz.
2G	131060	RCB-3D	Brass Washer	—	10C	78963	SDR-3F	Hex Head Bolt	—
2H	131061	RCB-3C	Guide Stem	2 oz.	10D	78968	SDR-3G	Hex Head Nut	—
2J	73487	RCB-3B	Bonnet	1 lb. 3 oz.	10E	82617	SDR-3E	Seat Disc	—
2K	72824	RCB-3J	Bonnet Screws (6 req.)	—	10F	84067	SDR-3D	Spring	—
3	73813	RC-16	Connector Line Elbow	2 oz.	10G	83618	SDR-3H	Safety Stop	—
4	72827	RC-17	Connector Line Hose Coupled	4 oz.	10H	84098	SDR-3S	Spring	—
5	72828	RC-18	Connector Line Adaptor	1 oz.	10I	27030	SDR-3J	Round Head Screw	—
6	131865	RC-19	Connector Line Tee	2 oz.	10J	72834	RCAV-5	Hose Clamp (2 req.)	1 oz.
7	72830	RC-20	Pot Tender Control Valve	2 oz.	10K	131609	DRC-3-A	Hose Adaptor 1/8" NPSM (2 required)	—
8	131834	RC-21	Connector Line Nipple	1 oz.				Blow-Off Line Restrictor*	9 oz.
9	73051	DRCV-2	Remote Control Valve (Dual)	5 lb. 9 oz.	11	68967	AB-61-R	Restrictor Nipple	2 oz.
9A	73477	RCV-2B	Valve Inlet Body	2 lb. 8 oz.	12	131859	RC-23	Tank Nipple	—
9B	131609	DRC-3A	Hose Adaptor	—	13	72768	DRC-3-12	Remote Control Hose	—
9C	131572	RCV-2N	Stem Nut	—		72769	DRC-3-25	Remote Control Hose	—
9D	131698	DRCV-2M	Piston Washer (2 req.)	—		72770	DRC-3-50	Remote Control Hose	—
9E	83087	RCV-2L	Piston Cup (2 req.)	—		84163	DRC-3-62	Remote Control Hose	—
9F	131050	RCV-2P	Disc Seat	4 oz.		72771	DRC-3-100	Remote Control Hose	—
9G	2-228	RVC-2C	"O" Ring	—	14	73815	DRC-3-B	1/4" x 1/8" Pipe Bushing	—
9H	131571	RVC-2V	Space Sleeve Seal (2)	—	15	131609	DRC-3-A	1/8" Male Adaptor	—
9J	131577	DRCV-2J	Space Sleeve	—					
9K	131041	RCV-2H	Stem Washer	—					

\* Not Shown

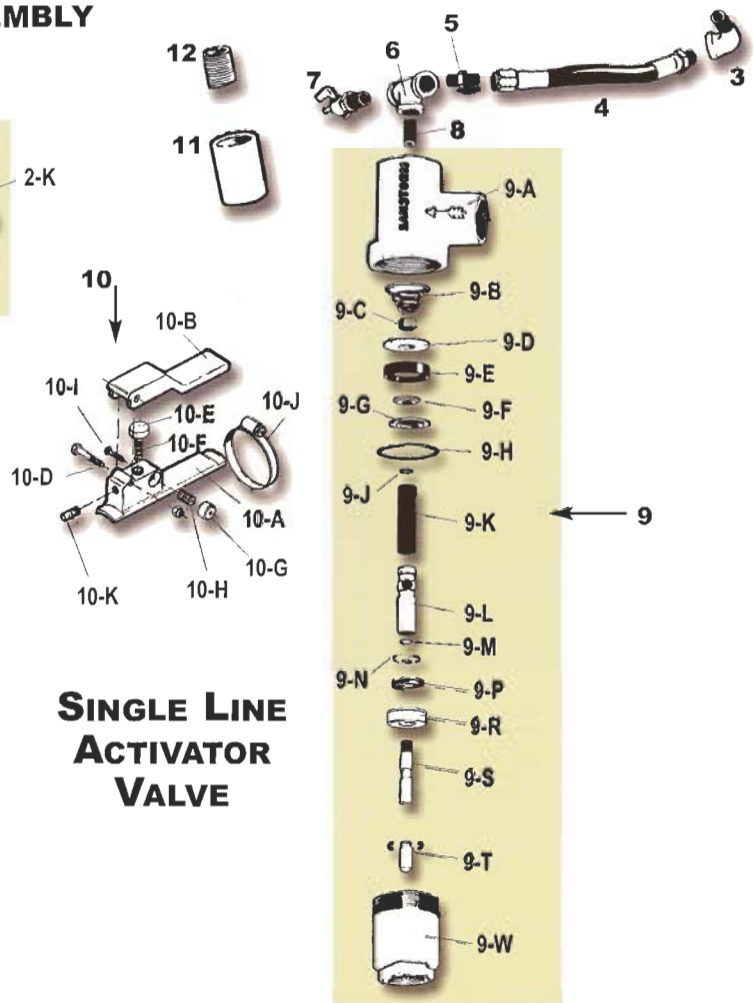
# SINGLE LINE REMOTE CONTROL ASSEMBLY



Key No.	Stock No.	Part No.	Description	Net Wt.
1	72821	RC-24	Tank Nipple	2 oz.
2	73617	RCB-3	Blow-Off Valve (complete)	3 lb. 7 oz.
2A	73489	RCB-3A	Body	1 lb. 11 oz.
2B	72823	RCB-3K	Nut	—
2C	131060	RCB-3D	Brass Washer	—
2D	82755	RCB-3G	Disc	1 oz.
2E	131058	RCB-3F	Disc Retainer	4 oz.
2F	73621	RCB-3E	Diaphragm	1 oz.
2G	131060	RCB-3D	Brass Washer	—
2H	131061	RCB-3C	Guide Stem	2 oz.
2J	73487	RCB-3B	Bonnet	1 lb. 3 oz.
2K	72824	RCB-3J	Bonnet Screws (6 req.)	—
3	73813	RC-16	Connector Line Elbow	2 oz.
4	72827	RC-17	Connector Line Hose (coupled)	4 oz.
5	72828	RC-18	Connector Line Adaptor	1 oz.
6	131865	RC-19	Connector Line Tee	2 oz.
7	72830	RC-20	Pot Tender Control Valve	2 oz.
8	131834	RC-21	Connector Line Nipple	1 oz.
9	73050	RCV-2	Remote Control Valve (complete)	5 lb. 9 oz.
9A	73477	RCV-2B	Valve Inlet Body	2 lb. 8 oz.
9B	131318	RCV-2S	Conical Spring	1 oz.
9C	131572	RCV-2N	Stem Nut	—
9D	131042	RCV-2M	Piston Washer	3 oz.
9E	83087	RCV-2L	Piston Cup	1 oz.
9F	131041	RCV-2H	Stem Washer	—
9G	131050	RCV-2P	Disc Seat	4 oz.
9H	2-228	RVC-2C	"O" Ring	—
9J	131571	RCV-2V	Spacer Sleeve Seal	—
9K	131321	RCV-2K	Screen	—
9L	131045	RCV-2J	Spacer Sleeve	1 oz.
9M	131571	RCV-2V	Spacer Sleeve Seal	—
9N	131041	RCV-2H	Stem Washer	—
9P	82754	RCV-2G	Disc	1 oz.
9R	131047	RCV-2F	Disc Retainer	3 oz.
9S	131046	RCV-2D	Stem	4 oz.
9T	131049	RCV-2E	Split Washer	—
9W	73476	RCV-2A	Valve Outlet Body	1 lb. 12 oz.
10	131643	SR-3	Single Line Activator Valve	14 oz.
10A	131642	SR-3A	Valve Body	14 oz.
10B	83616	SDR-3B	Activator Lever	3 oz.
10C	78963	SDR-3F	Hex Head Bolt	—
10D	78968	SDR-3G	Hex Head Nut	—
10E	82617	SDR-3E	Seat Disc	—
10F	84067	SDR-3D	Spring	—
10G	83618	SDR-3H	Safety Stop	—
10H	84098	SDR-3S	Spring	—
10I	27030	SDR-3J	Round Head Screw	—
10J	72834	RCAV-5	Clamp (2 required)	1 oz.
10K	131609	DRC-3-A	Hose Adapter 1/8" N PSM (1 req.)	—
11	68967	AB-61-R	Blow-Off Line Restrictor	9 oz.
12	131859	RC-23	Restrictor Nipple	2 oz.
13	72766	RC-22	Remote Control Hose—Single Line (specify length)— per foot W.O.C.	3 oz.
14	72767	RC-22-C1	Reusable R.C. Hose M&F (coupling complete)	4 oz.

Carefully READ the INSTALLATION, OPERATING, and MAINTENANCE directions supplied with the machine from the factory. If you do not have a copy, please contact your employer (supervisor) or: MMLJ, Inc.

57111 Schurmier Rd. Houston, Texas 77048  
Tel.: 713.869.2227 Fax.: 713.868.8041



## SINGLE LINE ACTIVATOR VALVE

### IMPORTANT

(Pertinent to all abrasive blast cleaning machines.)

#### WARNING

Before operating any abrasive blast cleaning equipment READ ALL operating and maintenance instructions. Personal protective equipment is REQUIRED when using this type of equipment. Operator MUST be equipped with heavy canvas or leather gloves, aprons, and arm protectors. Safety shoes and hearing protection MUST be worn when required. NIOSH approved air fed respirators (helmets) furnished with at least Grade C breathing air MUST be used for protection against dust inhalation. Air MUST be filtered and monitored for Carbon Monoxide.

#### DANGER

Use of Abrasive cleaning equipment with silica sands may produce a heavy concentration of silica dust. Breathing this dust can produce "Silicosis", a permanent lung disease. Depending upon the object to be cleaned, blasting, even with non-silica abrasives may release hazardous dust particles into the air that can cause permanent lung damage. Failure to use NIOSH approved air fed respirator (helmet) may cause SERIOUS lung DAMAGE. This warning, as to the proper use of an approved respirator (helmet) applies not only to the operator, but extends to all those working in or around the blasting area, such as pot tenders, painters, supervisors, etc.

#### CAUTION

Blast cleaning equipment & components are subjected to wear and deterioration.

- Keep your equipment in good operable condition.
- MAINTAIN nozzle control at all times during operation.
- INSPECT machine, nozzles, hoses, and couplings.
- WIRE all kwik-fit hose couplings together.
- Inspect, clean, or replace helmet lens and filters frequently.
- Ground equipment to AVOID electrical shock.
- DO NOT operate any machine without thorough knowledge of machine operation.